

JS-DC180S

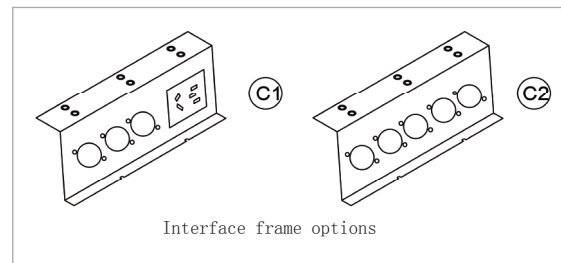


Description

JS-DC180S Floor box can be permanently installed on different grounds to solve various ports for connecting wiring from the ground. Big cable pass through holes accept cables come out when panel closed.

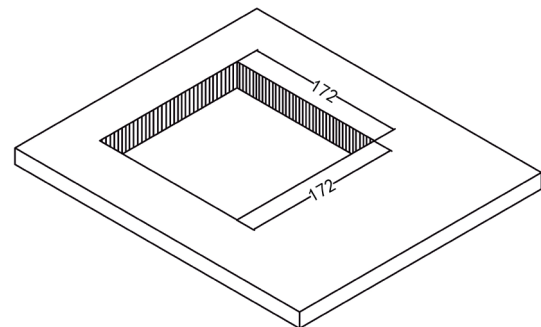
Product Features

- The design of side interface makes the panel closed easily after cable connected;
- Multi panel options to integrate into the work environment more effectively;
- Connector Options:
max accommodate 1 power + 3 media connectors;
max accommodate 5 media connectors;
- The panel is formed integrally by laser cutting, strong load-bearing capacity.



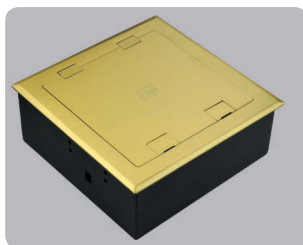
Main Specification

Model JS-DC180S
 Temp. range 0~50°C(Non-condensing)
 Dimensions Panel :
 A,B Type: 180mm*180mm*4mm
 C,D Type: 170mm*170mm*19mm
 Box: 170mm*170mm*65mm
 Cutout:
 A,B Type: 172mm*172mm*65mm(±1mm)
 C,D Type: 172mm*172mm*84mm(±1mm)
 (Suggest to open hole as real product)



Cutout Dimension (mm)

Panel Configuration



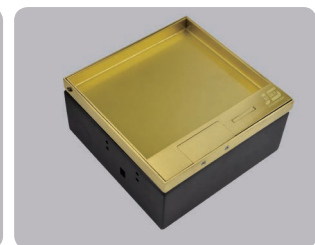
GOLD(A)



SILVER(B)



EMBEDED(C)



EMBEDED(D)

CONNECTOR OPTIONS



Female XLR Male XLR 3.5mmAudio BNC Video Speaker Shielded Cat6 Optical USB HDMI